

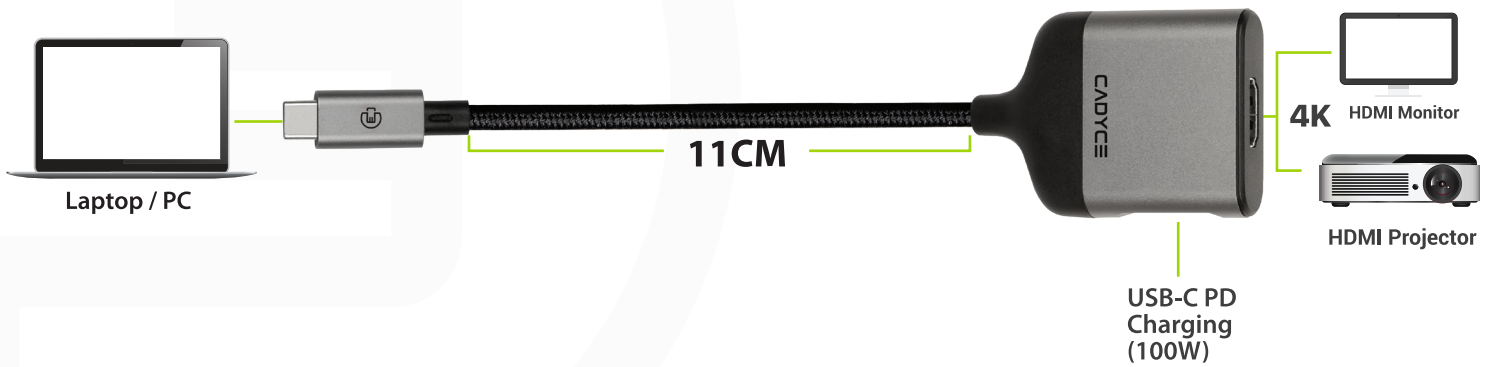
CA-C3HDMI 4KPRISTINE

USB 3.1 Type-C to HDMI (4K)
Converter with Audio

CADYCE CA-C3HDMI supporting a resolution of 4K@60Hz extends or mirrors the display of your USB-C® enabled computer on to HDTV, HDMI monitor or projector.



Application



Features

- HDMI 2.0 port supports resolution of 4K@60Hz.
- USB-C® PD charging port supports power delivery up to 100W.
- Plug and Play.
- Compact & Elegant housing with CADMiUM braided cable.
- Supports Windows, Mac OS, Linux, Android, iOS.

Specifications

ITEMS	DESCRIPTION
Input Connector / port	USB 3.1 Type-C® Male, USB-C® PD
Output port	HDMI 2.0,
Resolution Supported	4K x 2K@60Hz
Connector Cable Length	11CM
HDCP	HDCP 1.4/2.3 RX
Operating Temperature	0°C + 45°C
Operating Humidity	10% to 85 % RH (no condensation)
Storage Temperature	-10°C to +70°C
Storage Humidity	5% to 90 % RH (no condensation)
Power Source	USB Bus Power
Certifications	FCC, CE, RoHS, UK, CA

Other Products:

CA-C4KHD, CA-C8KHD, CA-CVFDH

Certifications:



Includes: CA-C3HDMI, User Manual

Package Dimensions (L X W X H):

Box: L 25 mm X W 95 mm X H 175 mm | L 0.98in X W 3.74 in X H 6.88in

EAN Code:

CA-C3HDMI - 0658215619007

www.cadyce.com

Cadyce is a registered trademark. All other trademarks belong to their respective proprietors. Copyright ©, All rights reserved.