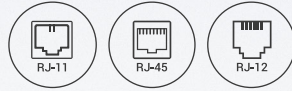


CA-CT568

Dual Modular Network Crimping Tool

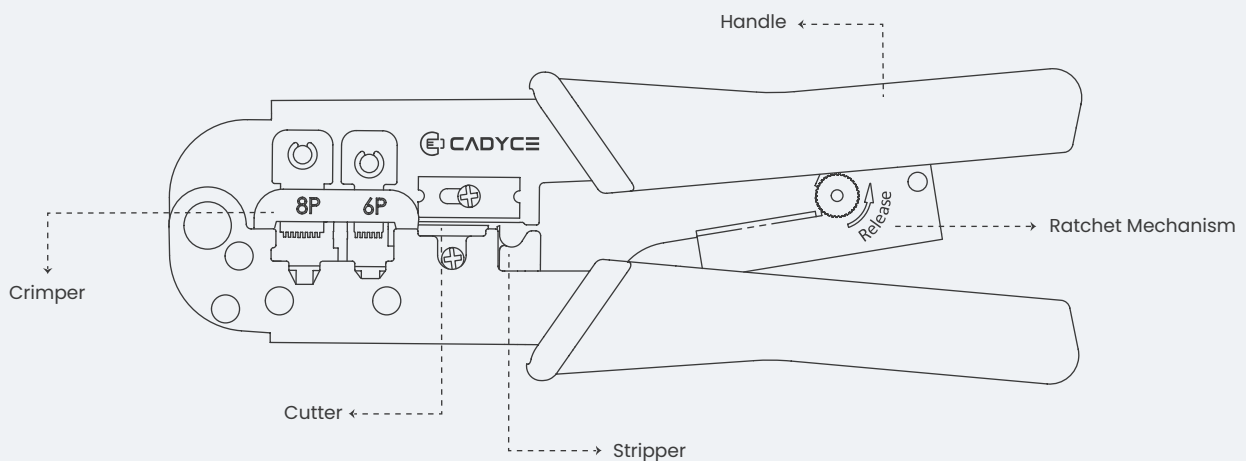


CADYCE CA-CT568 is a Dual Modular Network Crimping Tool which allows Network Professionals to crimp, strip and cut efficiently.



Features:

- Dual Modular plug crimps, strips and cuts.
- Supports RJ-45/8P8C, RJ-11/6P4C, RJ-12/6P6C with round cable stripper (UTP & STP).
- Ratchet Mechanism.
- Terminates stranded data or voice cable.
- Made of corrosion resistant surface for durability.
- Designed with key way in 8P modular holder.
- Compact size & easy to use.



Other Products:
CA-NCT, CA-XPDT

Certifications:



www.cadyce.com

Includes:
CA-CT568, User Manual.

Package Dimensions (W X H):
Box: W 10.4cm X H 26.4cm | W 0.98in X H 10.3in

Cadyce is a registered trademark. All other trademarks belong to their respective proprietors.
Copyright ©, All rights reserved.

EAN Code:
CA-CT568 - 0700371491154

